



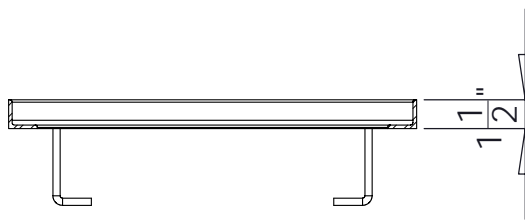
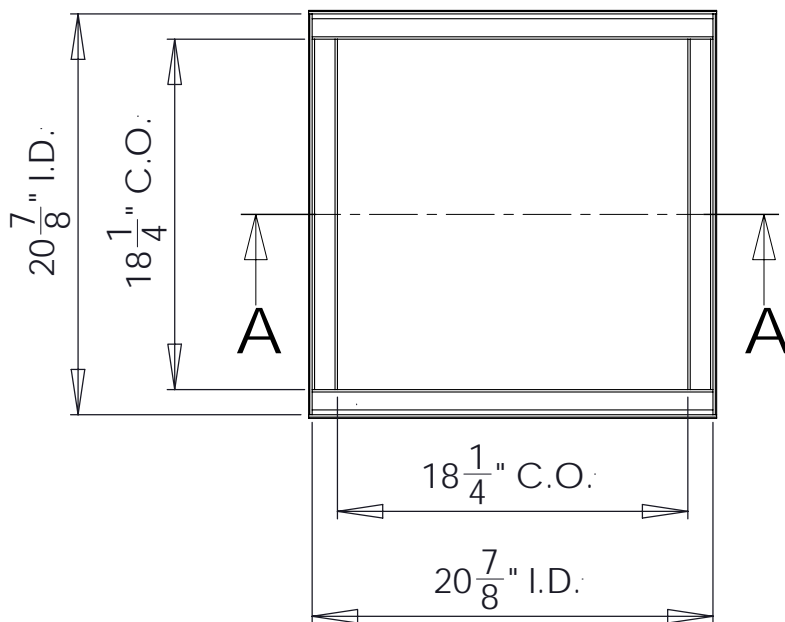
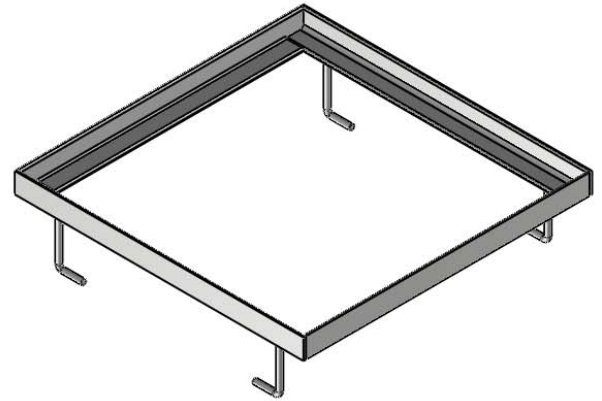
South Bay Foundry

WWW.SOUTHBAYFOUNDRY.COM

PHONE: (619) 956-2780 FAX: (619) 956-2788

E1125G

18x18 NON TRAFFIC FRAME



SECTION A-A

GENERAL INFORMATION

*MATERIAL: STEEL ASTM A36
*FINISH: HOT DIP GALVANIZED ASTM A123

APPROVED

BY:

TITLE:

AGENCY:

DATE: